

IMPEDANCE MATCHING PADS BNC/M(50OHM) TO BNC/F(75OHM)

SI1510

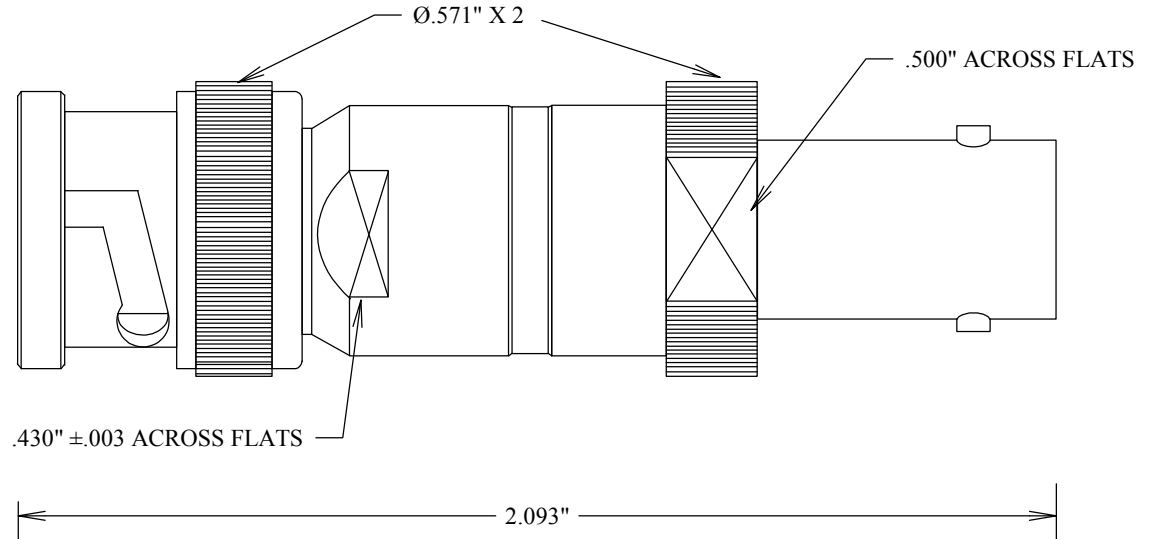
SPECIFICATIONS

ELECTRICAL:

FREQUENCY: 0-2 GHZ
 IMPEDANCE: 50 OHMS IN 75 OHMS OUT
 VSWR: 1.10 @ 0.5 GHZ
 1.15 @ 1 GHZ
 1.30 @ 2 GHZ

MECHANICAL:

MATERIAL BODY: BRASS
 CENTER CONTACTS FEMALE: BeCU
 CENTER CONTACTS MALE: BRASS
 ROHS COMPLIANT



				FAIRVIEW MICROWAVE INC.	
				ALLEN, TX 75013 WWW.FAIRVIEWMICROWAVE.COM	
				TITLE	
				IMPEDANCE MATCHING PADS BNC/M(50OHM) TO BNC/F(75OHM)	
SIZE	CAGE CODE	DWG NO			REV
A	3FKR5	SI1510			
SCALE					SHEET